

# Solid carbide twist drill (one step – with four margins)

Please complete and return to MAPAL (only 1 tool per enquiry/questionnaire/order).



Enquiry

Order

Company \_\_\_\_\_

Customer number (if available) \_\_\_\_\_

Contact partner \_\_\_\_\_

Tel./Fax \_\_\_\_\_

E-Mail \_\_\_\_\_

Address \_\_\_\_\_

MAPAL Präzisionswerkzeuge

Dr. Kress KG

Obere Bahnstraße 13

D-73431 Aalen

Phone +49 (73 61) 5 85-0

Fax +49 (73 61) 5 85-150

sc-tools@de.mapal.com

www.mapal.com

Number of drills \_\_\_\_\_ Delivery date required (non-binding) \_\_\_\_\_ Week \_\_\_\_\_

Please describe your machining task for us and the special tool you require:

Type of machining:

Bore:  Through hole  
 Blind bore

Machining method:  wet  dry  
 min.lubr.

Coolant supply:  Ext.  Int.

Material to be machined:

- Unalloyed steel
- Cast steel
- Alloyed steel
- Inox
- Stainless/acid-resistant steel
- Grey cast iron
- Alloyed grey cast iron
- Nodular iron
- CGI
- Malleable iron

- Aluminium (Si content > 10 %)
- Aluminium (Si content < 10 %)
- Copper
- Brass
- Bronze
- Titanium alloys
- Nickel alloys
- Chilled cast iron
- Hardened steel
- \_\_\_\_\_

Hardness (HRC, HB, etc.): \_\_\_\_\_ Tensile strength (N/mm<sup>2</sup>): \_\_\_\_\_ Standard: \_\_\_\_\_ Standard No.: \_\_\_\_\_

MAPAL code (e.g. SCD21, if known): \_\_\_\_\_

Cutting direction:  R.H.  L.H.  
(if not stated we will assume R.H.)

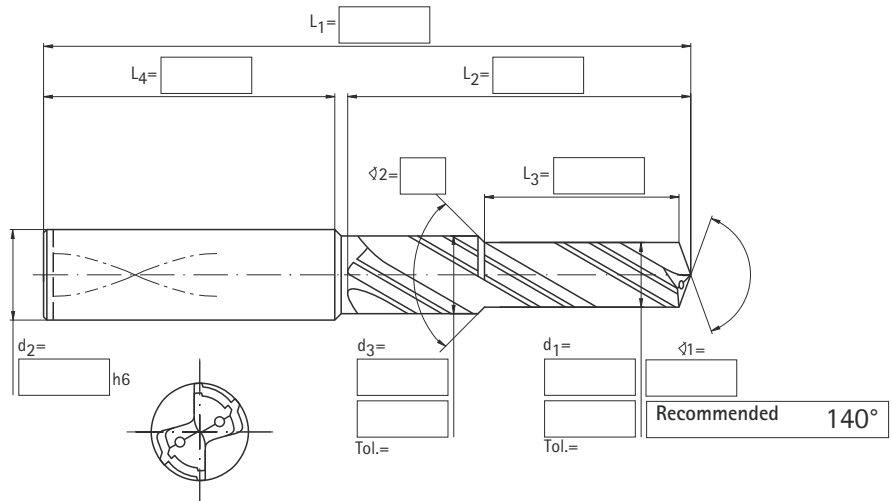
Coating:

(if you wish to choose yourself)

- TiAlN (MAPAL)
- AlTiN (MAPAL)
- TiB<sub>2</sub> (MAPAL)
- TiAlN (standard)
- uncoated
- \_\_\_\_\_

Shank form:

- HA (DIN 6535)
- HB (DIN 6535)
- HE (DIN 6535)



Date \_\_\_\_\_

Signature \_\_\_\_\_

Please do not write in this box, which will be completed by our specialists.

- Groove form:  MEGA  
 GG  
 ALU  
 INOX  
 \_\_\_\_\_

- Coating:  TiAlN (MAPAL)  
 AlTiN (MAPAL)  
 TiB<sub>2</sub> (MAPAL)  
 TiAlN (standard)  
 uncoated  
 \_\_\_\_\_

- Radial land on face:  Radial land on taper surface  
 Radial land on 4 faces  
 Round point  
 Spiral point

Blank (MC): \_\_\_\_\_