

Solid carbide drill, straight fluted (one step)

Please complete and return to MAPAL (only 1 tool per enquiry questionnaire/order).



Enquiry

Order

Company _____

Customer number (if available) _____

Contact partner _____

Tel./Fax _____

E-Mail _____

Address _____

MAPAL Präzisionswerkzeuge

Dr. Kress KG

Obere Bahnstraße 13

D-73431 Aalen

Phone +49 (73 61) 5 85-0

Fax +49 (73 61) 5 85-150

sc-tools@de.mapal.com

www.mapal.com

Number of drills _____ Delivery date required (non-binding) _____ Week

Please describe your machining task for us and the special tool you require:

Type of machining:

Bore: Through hole
 Blind bore

Machining method: wet dry
 min.lubr.

Coolant supply: Ext. Int.

Material to be machined:

- Grey cast iron
- Alloyed grey cast iron
- Aluminium (Si content > 10 %)
- Aluminium (Si content < 10 %)
- Copper
- Brass
- Bronze
- _____

Hardness (HRC, HB, etc.): _____ Tensile strength (N/mm²): _____ Standard: _____ Standard No.: _____

MAPAL code (e.g. SCD24, if known): _____

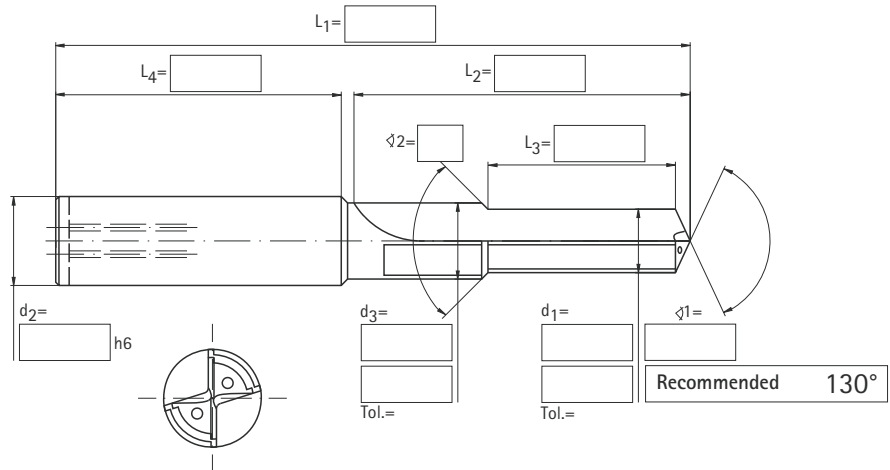
Cutting direction: R.H. L.H.
(if not stated we will assume R.H.)

Coating:
(if you wish to choose yourself)

- TiAlN (MAPAL)
- AlTiN (MAPAL)
- TiB₂ (MAPAL)
- TiAlN (standard)
- uncoated
- _____

Shank form:

- HA (DIN 6535)
- HB (DIN 6535)
- HE (DIN 6535)



Date _____

Signature _____

Please do not write in this box, which will be completed by our specialists.

Groove form: GG
 ALU

Coating: TiAlN (MAPAL)
 AlTiN (MAPAL)
 TiB₂ (MAPAL)
 TiAlN (standard)
 uncoated

Radial land on face: Radial land on taper surface
 Radial land on 4 faces
 Round point

Blank (MC): _____