

# Solid carbide twist drill (without step – with four margins)

Please complete and return to MAPAL (only 1 tool per enquiry questionnaire/order).



Enquiry

Order

Company \_\_\_\_\_

Customer number (if available) \_\_\_\_\_

Contact partner \_\_\_\_\_

Tel./Fax \_\_\_\_\_

E-Mail \_\_\_\_\_

Address \_\_\_\_\_

MAPAL Präzisionswerkzeuge

Dr. Kress KG

Obere Bahnstraße 13

D-73431 Aalen

Phone +49 (73 61) 5 85-0

Fax +49 (73 61) 5 85-150

sc-tools@de.mapal.com

www.mapal.com

Number of drills \_\_\_\_\_ Delivery date required (non-binding) \_\_\_\_\_ Week \_\_\_\_\_

Please describe your machining task for us and the special tool you require:

Material to be machined:

Bore:

Through hole

Blind bore

Machining method:

wet  dry

min.lubr.

Coolant supply:

Ext.

Int.



Unalloyed steel

Cast steel

Alloyed steel

Inox

Stainless/acid-resistant steel

Grey cast iron

Alloyed grey cast iron

Nodular iron

CGI

Malleable iron

Aluminium (Si content > 10 %)

Aluminium (Si content < 10 %)

Copper

Brass

Bronze

Titanium alloys

Nickel alloys

Chilled cast iron

Hardened steel

\_\_\_\_\_

Hardness (HRC, HB, etc.): \_\_\_\_\_ Tensile strength (N/mm<sup>2</sup>): \_\_\_\_\_ Standard: \_\_\_\_\_ Standard No.: \_\_\_\_\_

MAPAL code (e.g. SCD21, if known): \_\_\_\_\_

Cutting direction:  R.H.  L.H.  
(if not stated we will assume R.H.)

Coating:

(if you wish to choose yourself)

TiAlN (MAPAL)

AlTiN (MAPAL)

TiB<sub>2</sub> (MAPAL)

TiAlN (standard)

uncoated

\_\_\_\_\_

Shank form:

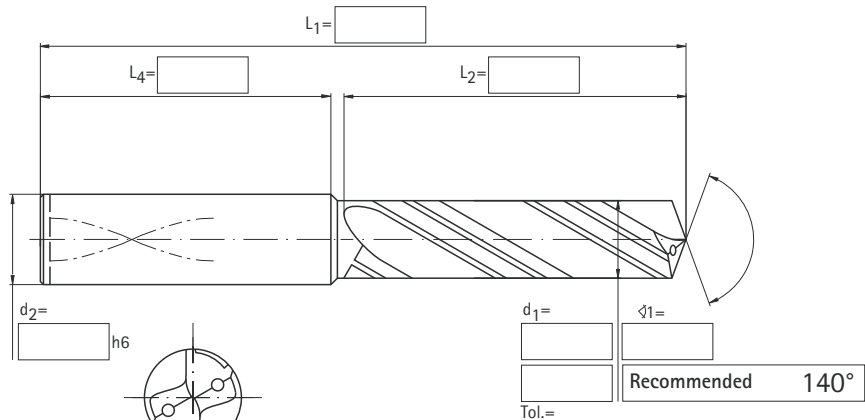
HA (DIN 6535)



HB (DIN 6535)



HE (DIN 6535)



Date \_\_\_\_\_

Signature \_\_\_\_\_

Please do not write in this box, which will be completed by our specialists.

Groove form:  MEGA

GG

ALU

INOX

\_\_\_\_\_

Coating:  TiAlN (MAPAL)

AlTiN (MAPAL)

TiB<sub>2</sub> (MAPAL)

TiAlN (standard)

uncoated

\_\_\_\_\_

Radial land on face:  Radial land on taper surface

Radial land on 4 faces

Round point

Spiral point

Blank (MC): \_\_\_\_\_