

Solid carbide end milling cutter – with step



Please copy, complete and return (only 1 tool per enquiry questionnaire/order).

Enquiry Order

MAPAL Präzisionswerkzeuge
Dr. Kress KG
 P.O. Box 1520 D-73431 Aalen
 Phone +49 (0) 7361 585-0
 Fax +49 (0) 73 61 585-150
 sc-tools@de.mapal.com
 www.mapal.com

Company _____ Customer number (if available) _____
 Contact partner _____ Phone/Fax _____ E-Mail _____

Address _____

No. of milling cutters _____ Desired delivery date (without obligation) _____ week

Please describe the intended machining process and the desired special tool:

- Machining:**
- Circumferential milling
 - Slotting
 - Face milling
 - Copy milling
 - Undersize milling
 - Plunging
 - Roughing
 - Finishing
 - Roughing-/Finishing application
- Material to be machined:**
- unalloyed steel
 - cast steel
 - alloyed steel
 - Inox
 - stainless and acid-resistant steel
 - grey cast iron
 - alloyed grey cast iron
 - Spheroidal graphite cast iron
 - Vermicular graphite cast iron
 - Malleable cast iron
 - Aluminium (Si-content > 10 %)
 - Aluminium (Si-content < 10 %)
 - Copper
 - Brass
 - Bronze
 - Titanium alloys
 - Nickel alloys
 - Chilled cast iron
 - Hardened steel
 - _____
- Type of machining:** wet dry MQL
- Coolant supply:** External coolant Internal coolant

Hardness (HRC, HB, etc.): _____ Tensile strength (N/mm²): _____ Standard: _____ Standard designation: _____

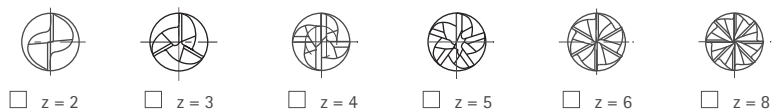
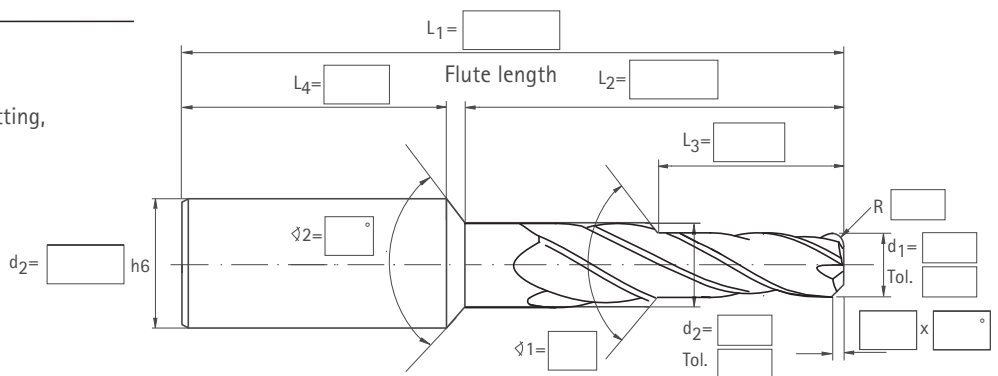
Type designation (e. g. SCM10, if known): _____

Cutting direction: Right Left
 (unless specified otherwise, we assume right-cutting, right-hand helix)

Helix: Right Left

Helix angle: _____ °

- Coating:**
 (if you wish to select this yourself)
- TiCN
 - TiAlN (MAPAL)
 - TiAlN (standard)
 - AlCrN (MAPAL)
 - Uncoated
 - _____



Shank form: _____ **Machining strategy:** _____

- HA (DIN 6535)
- HB (DIN 6535)

Date _____ Signature _____

Please do not complete. Will be completed by specialists!

Cutting edge preparation: Size _____ Process _____

Groove polished: Yes No Blank (MC): _____